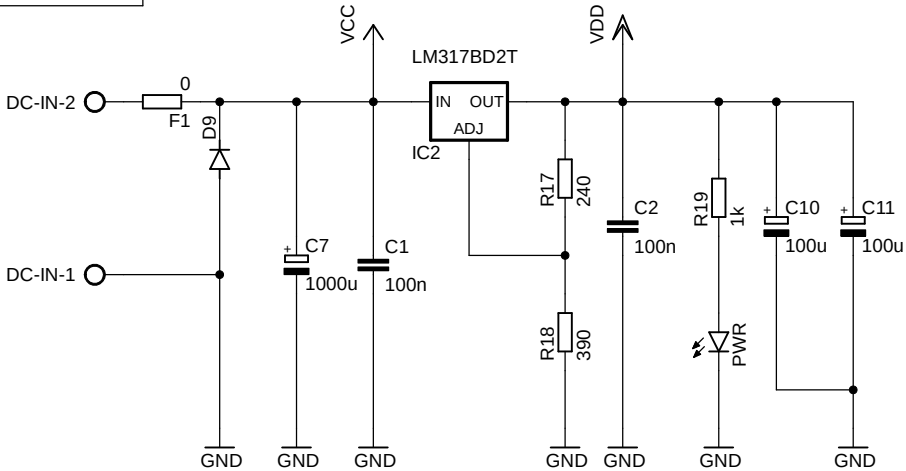
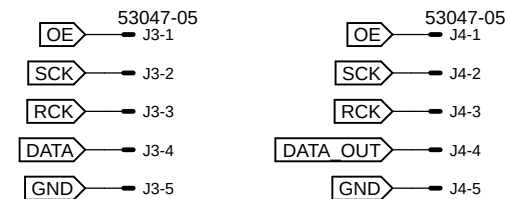


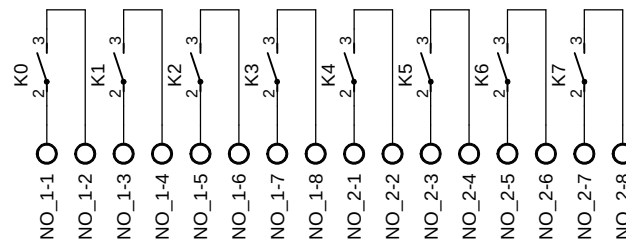
3V3 SUPPLY



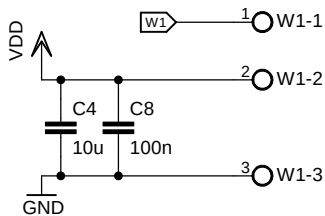
HEADERS



RELAY CONTACTS

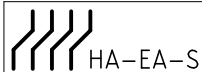


ONEWIRE CONN.



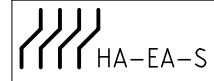
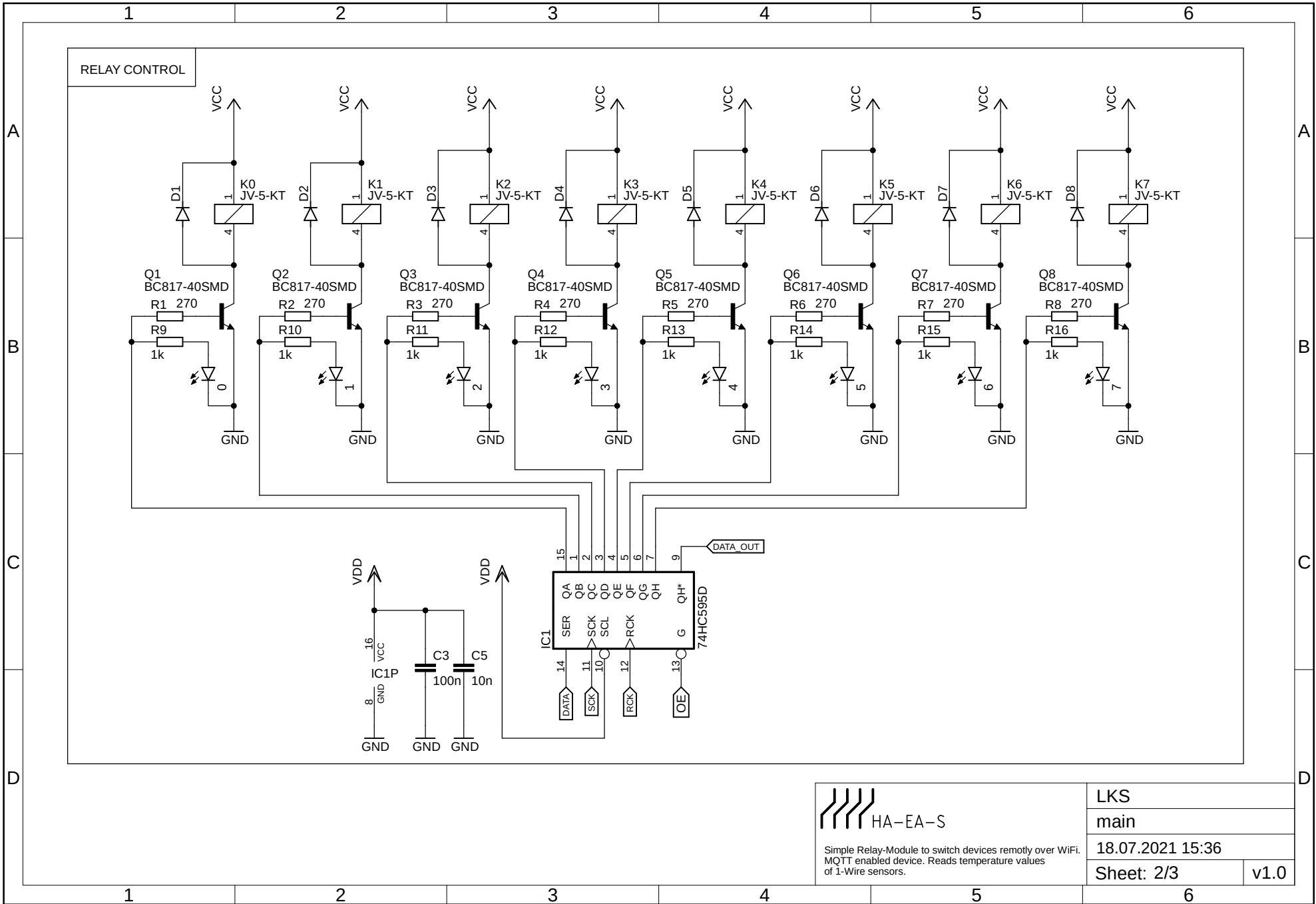
NOTES

MASETER DEVICE:
J3 IS NOT POPULATED.
SLAVE DEVICE:
J1, J2, MCU AND W1 ARE NOT POPULATED.



Simple Relay-Module to switch devices remotely over WiFi.
MQTT enabled device. Reads temperature values
of 1-Wire sensors.

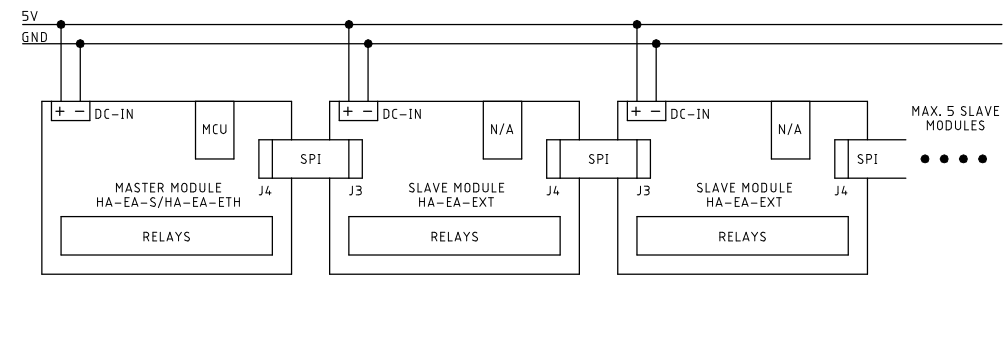
LKS
main
18.07.2021 15:36
Sheet: 1/3
v1.0

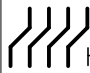


HA-EA-S
 Simple Relay-Module to switch devices remotely over WiFi.
 MQTT enabled device. Reads temperature values
 of 1-Wire sensors.

LKS	
main	
18.07.2021 15:36	
Sheet: 2/3	v1.0

STACK OPERATION




HA-EA-S
 Simple Relay-Module to switch devices remotely over WiFi.
 MQTT enabled device. Reads temperature values
 of 1-Wire sensors.

LKS	
main	
18.07.2021 15:36	
Sheet: 3/3	v1.0