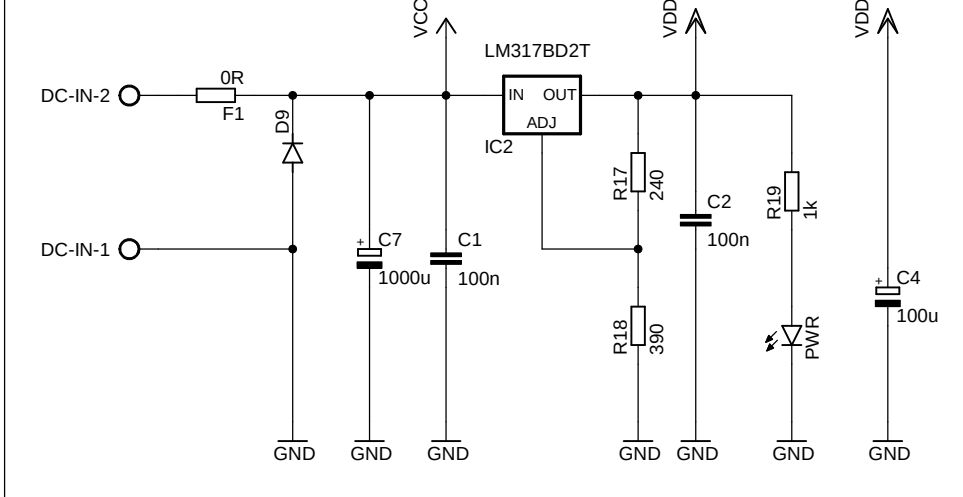
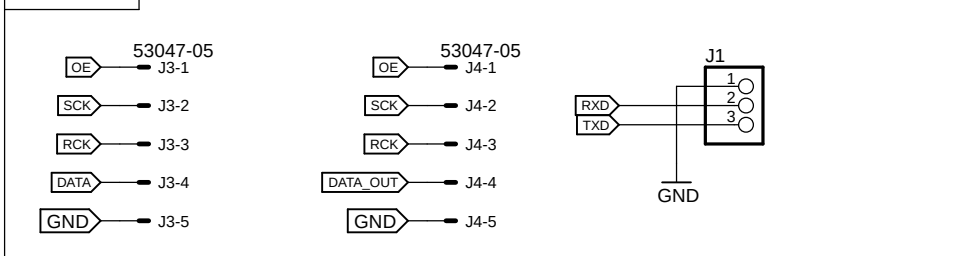


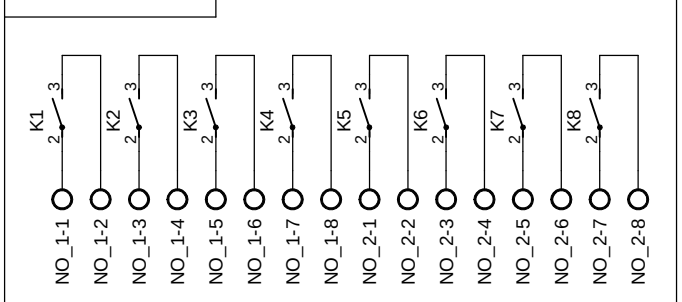
3V3 SUPPLY



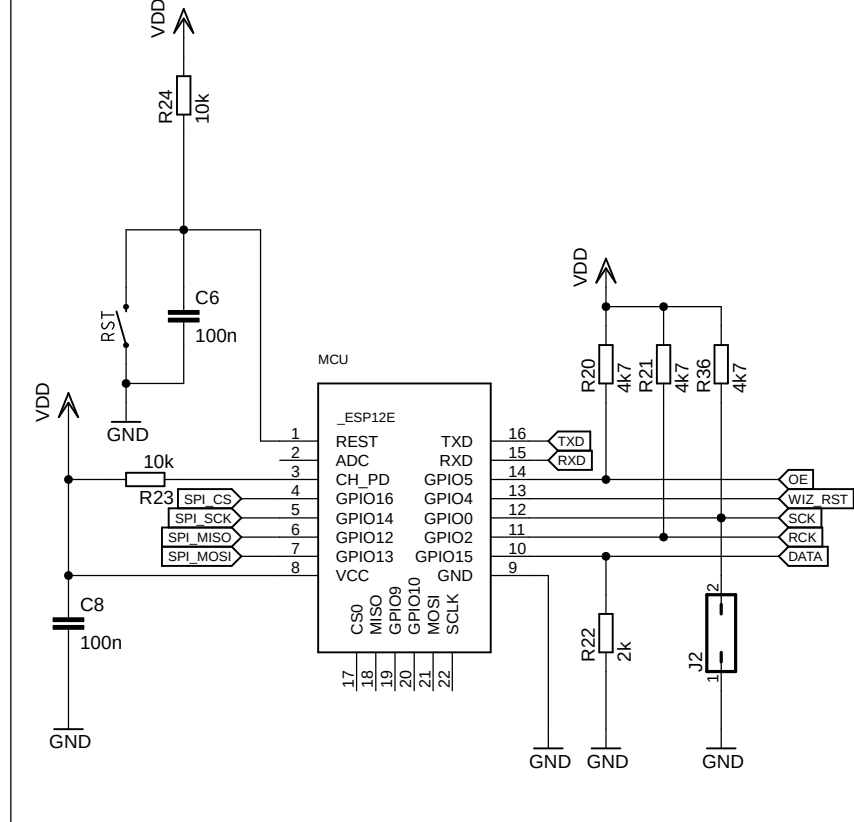
HEADERS



RELAY CONTACTS



MICROCONTROLLER



NOTES

~

HA-EA-ETH

Simple Relay-Module to switch devices remotely over WiFi or Ethernet. MQTT enabled device.

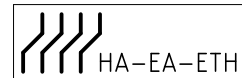
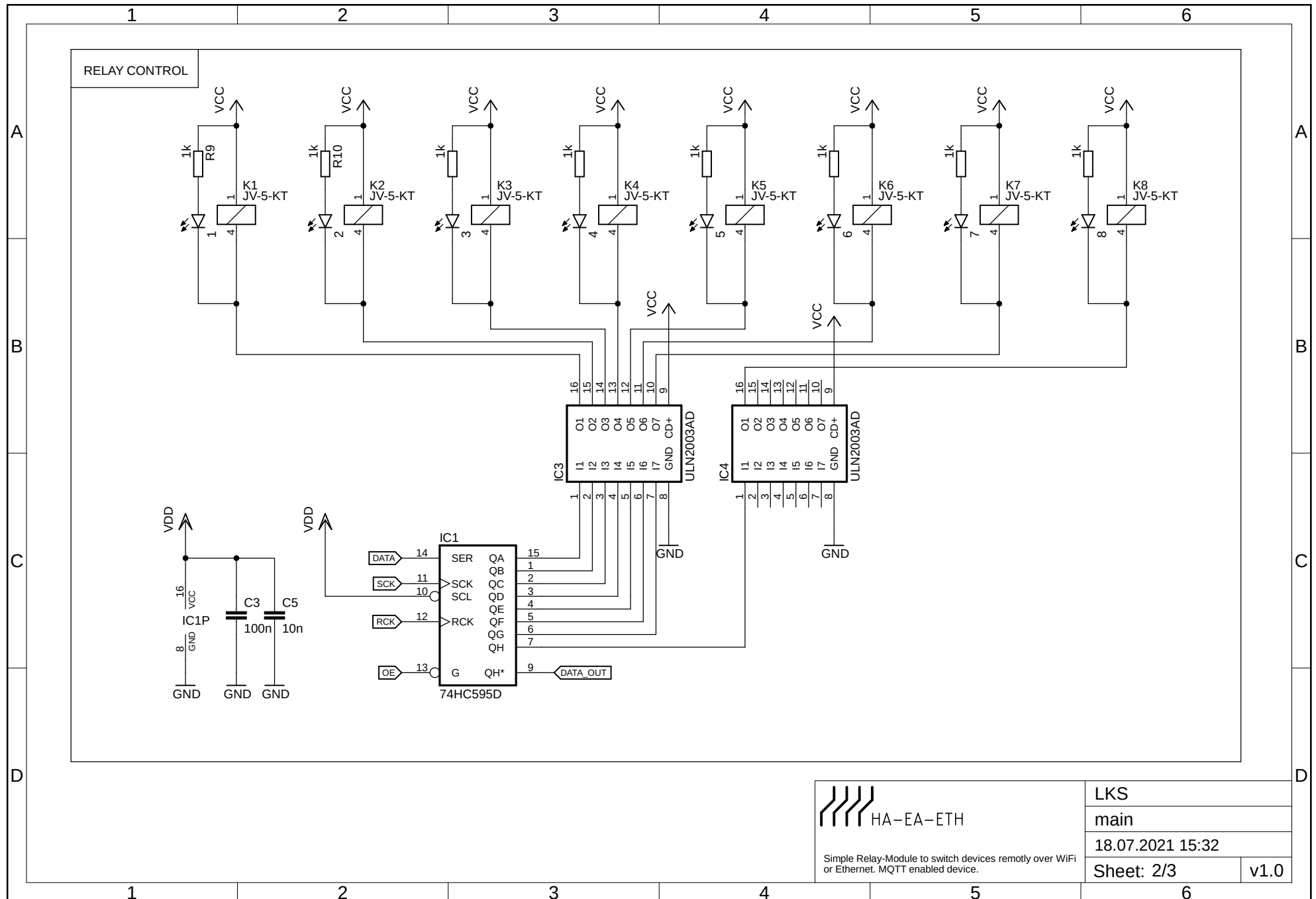
LKS

main

18.07.2021 15:32

Sheet: 1/3

v1.0



HA-EA-ETH

Simple Relay-Module to switch devices remotely over WiFi or Ethernet. MQTT enabled device.

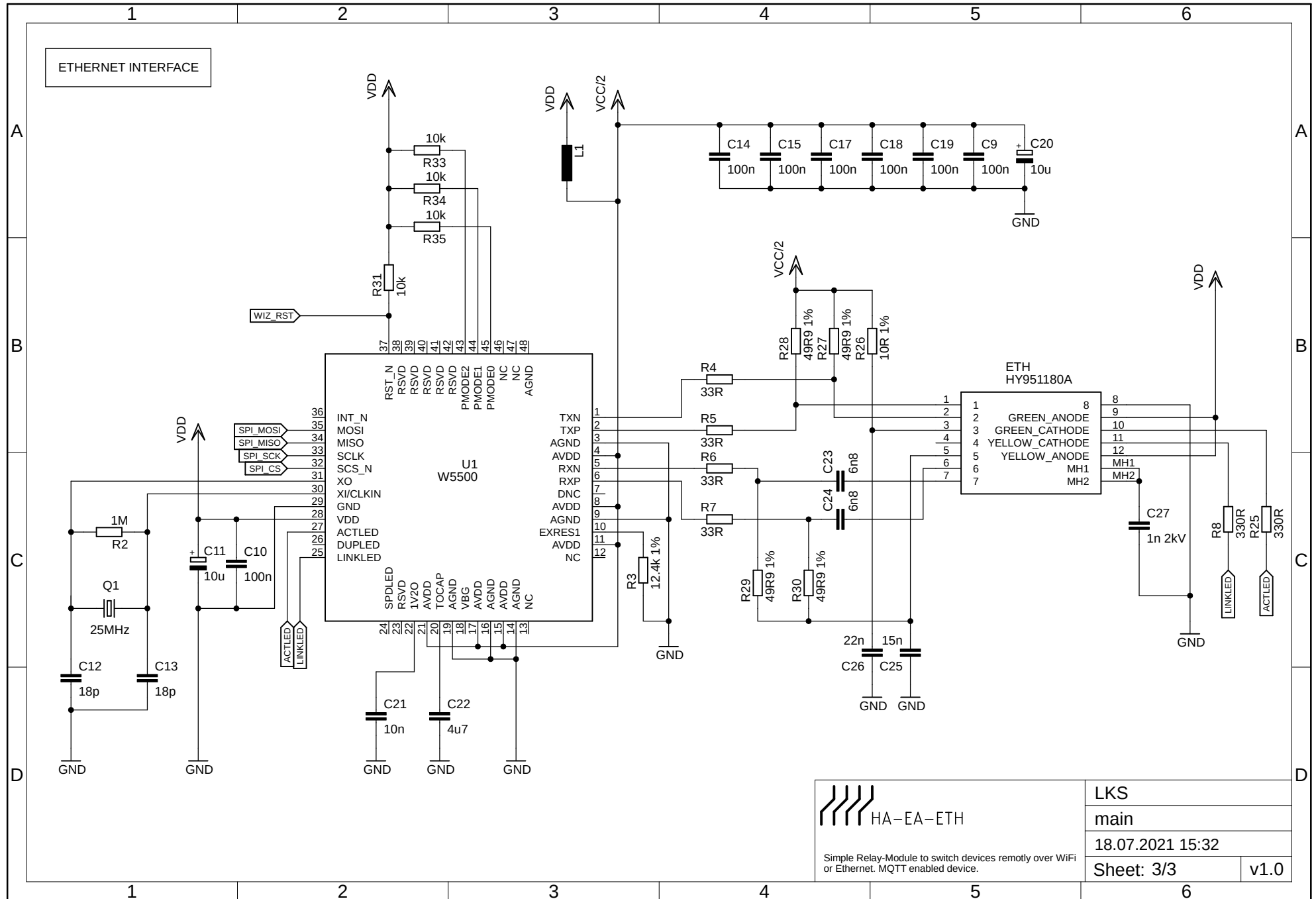
LKS

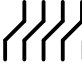
main

18.07.2021 15:32

Sheet: 2/3

v1.0




HA-EA-ETH
 Simple Relay-Module to switch devices remotely over WiFi or Ethernet. MQTT enabled device.

LKS	
main	
18.07.2021 15:32	
Sheet: 3/3	v1.0